

SONEVA AWNING

These instructions apply to the following sizes of awnings :

Width 1.9m x Depth 1.5m
Width 2.5m x Depth 2.0m
Width 3.0m x Depth 2.5m
Width 3.5m x Depth 2.5m
Width 4.0m x Depth 3.0m
Width 4.5M x Depth 3.0m

TOOLS REQUIRED

To fit your awning, you will need the following list of tools :

- Hammer Action Drill
- 14mm Masonry Drill Bits
- Chalk or Pencil
- Spirit Level
- Socket tool set in millimeters
- Adjustable Spanner (not essential, but is helpful during fitting)

CUSTOMER PRODUCT ADVICE & PARTS HELPLINE

01509 262900

www.soneva-awnings.com
sales@soneva-awnings.com

WARNING

This awning is heavy. Two people are required to lift the awning into position once the brackets are fitted to the wall. DO NOT attempt to lift the awning unit into position without assistance as dropping the unit is likely to cause serious damage to the product and could result in serious injury.

DO NOT allow children or pets to play in the working area during assembly and fitting.

DO NOT allow children to play with the winding handle once the unit is fitted. Keep the winding handle out of children's reach at all times.



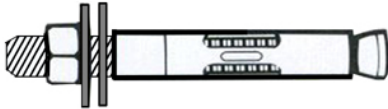
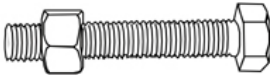

Ensure your hands are kept clean during fitting, this will prevent the awning fabric and frame becoming dirty.

The awning frame may be supplied with a clear plastic wrapping. This should be removed after fitting.

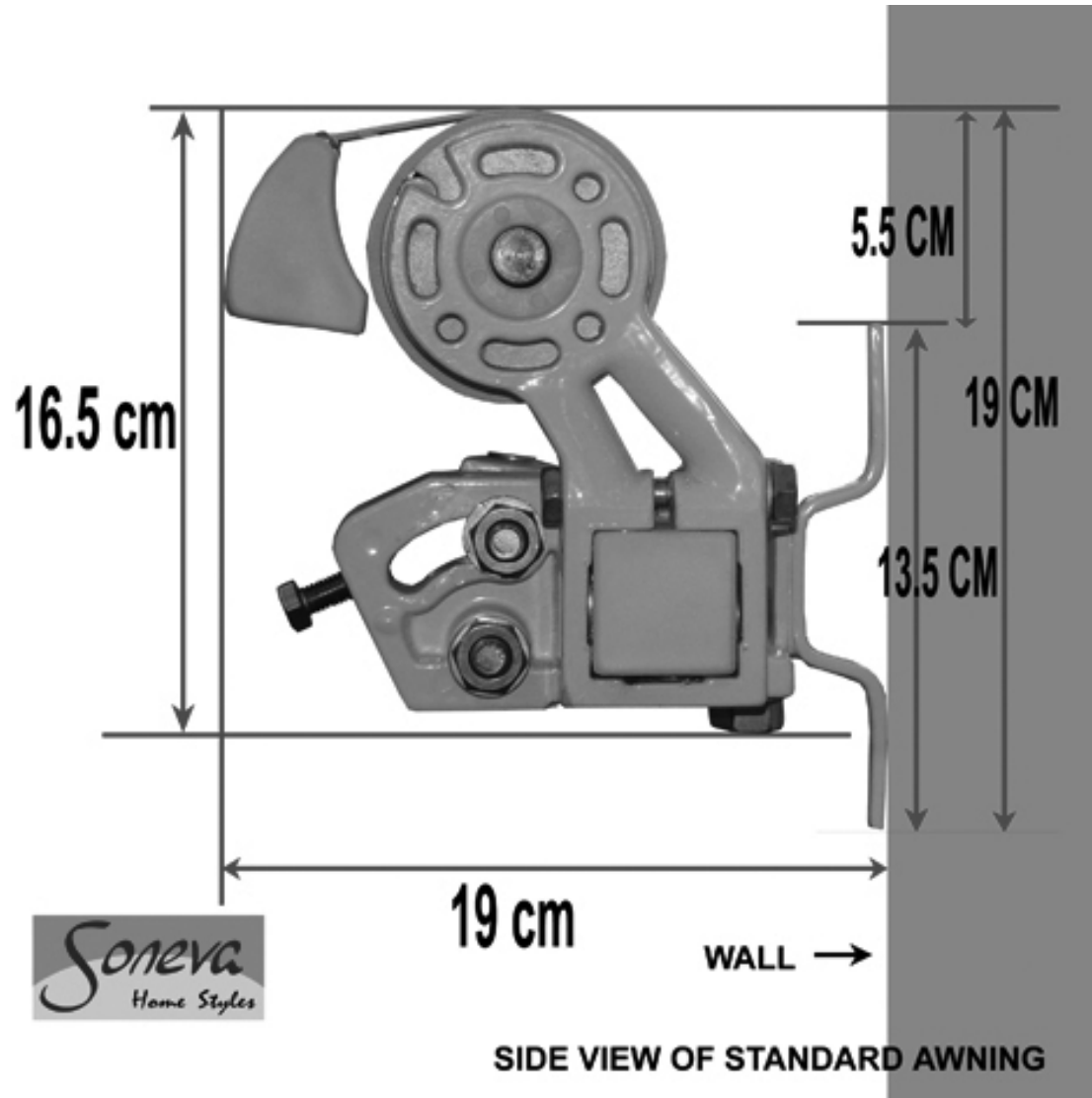
Plastic bags used in the packing of this product can be dangerous to children and babies. Keep out of the reach of babies and children to avoid risks of suffocation.

BEFORE ASSEMBLY

Check that all the parts shown on the attached parts list are contained within the box. If any parts are found to be damaged or missing, please telephone our customer service helpline and leave you name, number and details of the parts that are missing or damaged and we will get back to you without delay.

PARTS LIST	ILLUSTRATION	1.9M X 1.5M AWNING	2.5M X 2.0M AWNING	3M X 2.5M AWNING	3.5M X 2.5M AWNING	4M X 3M AWNING	4.5M X 3M AWNING
AWNING UNIT		1 pc	1 pc	1 pc	1 pc	1 pc	1 pc
METAL WALL BRACKETS		2 pcs	2 pcs	3 pcs	3 pcs	3 pcs	3 pcs
METAL WALL BOLTS		4 pcs	4 pcs	6 pcs	6 pcs	6 pcs	6 pcs
RETAINING BOLTS		2 pcs	2 pcs	3 pcs	3 pcs	3 pcs	3 pcs
WINDING HANDLE		1 pc	1 pc	1 pc	1 pc	1 pc	1 pc

SIDE VIEW OF AWNING



STEP 1

Carefully remove awning from the carton box and slide the polystyrene end blocks away from the awning unit.

Remove plastic bag and plastic ties from the awning and place the awning unit to one side ensuring the unit will not become scratched, damaged or dusty during works.

Decide how high you intend to secure the awning to the wall. If fitting above a patio door, then this should ideally be at least 20cm above the door frame (if there is sufficient space above the frame to allow fitting).

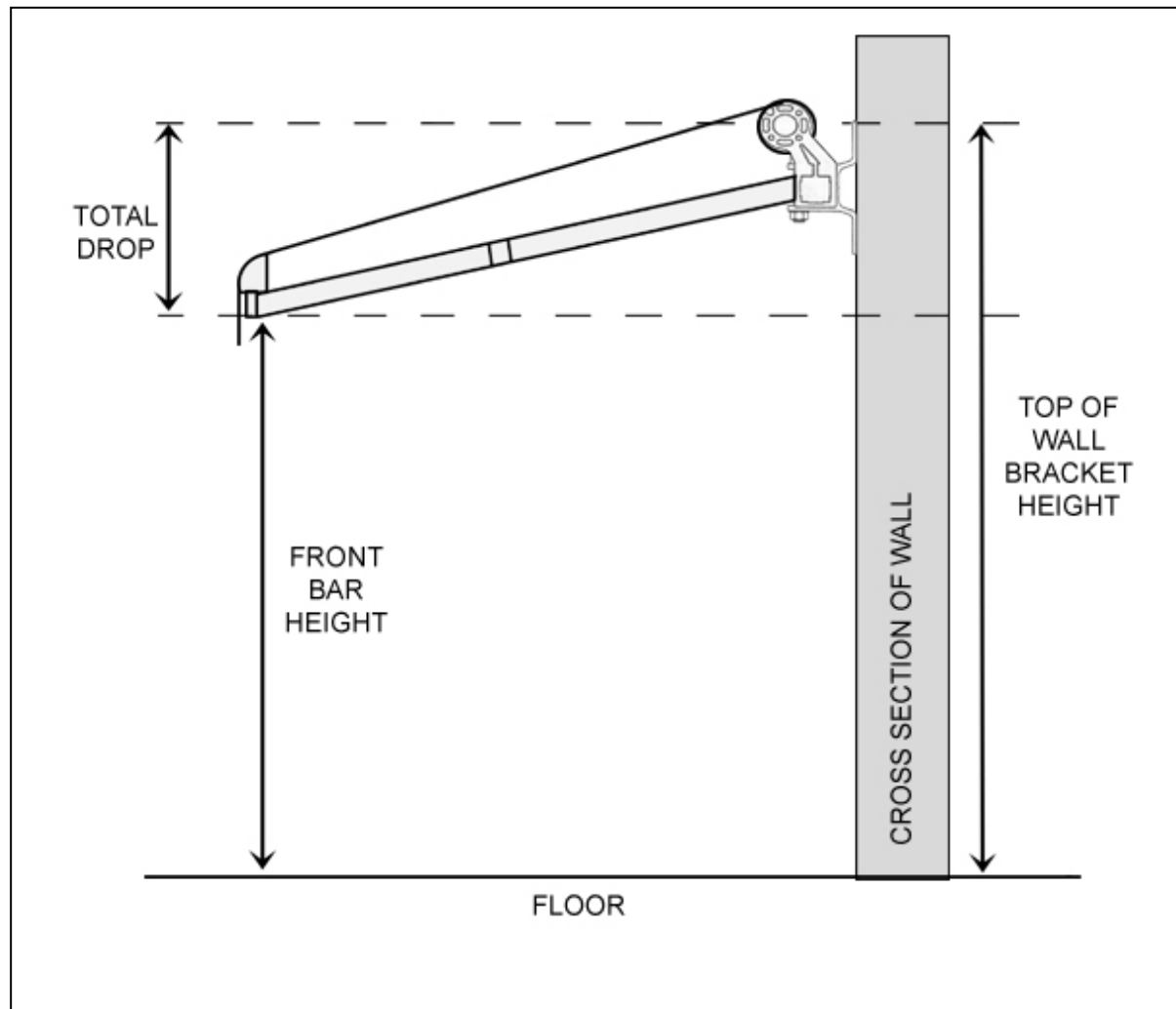
The approximate total drop of the awning is as follows:

- 1.9m x 1.5m Awning – 25 cm
- 2.5m x 2.0m Awning – 33 cm
- 3.0m x 2.4m Awning – 33 cm
- 3.5m x 2.5m Awning – 42 cm
- 4.0m x 3.0m Awning – 65 cm
- 4.5m x 3.0m Awning – 65 cm

Ensure you have calculated for this drop in height when deciding how high to secure the awning to the wall.

The angle of drop can be slightly adjusted after fitting, but the most ideal drop angle is pre-set at the factory and should not require any major adjustment.

The diagram on the right shows the drop of the awning after the awning has been fully opened.



NOTE

SPECIAL CEILING / HORIZONTAL MOUNTED BRACKETS ARE AVAILABLE FOR PURCHASE. PLEASE TELEPHONE CUSTOMER SERVICE HELPLINE FOR MORE INFORMATION.

STEP 2

Draw a horizontal line in the position of the top of the brackets as shown in the diagram. This should extend the full distance of the awning and is best done using a long ruler, spirit level and some chalk to mark the wall.

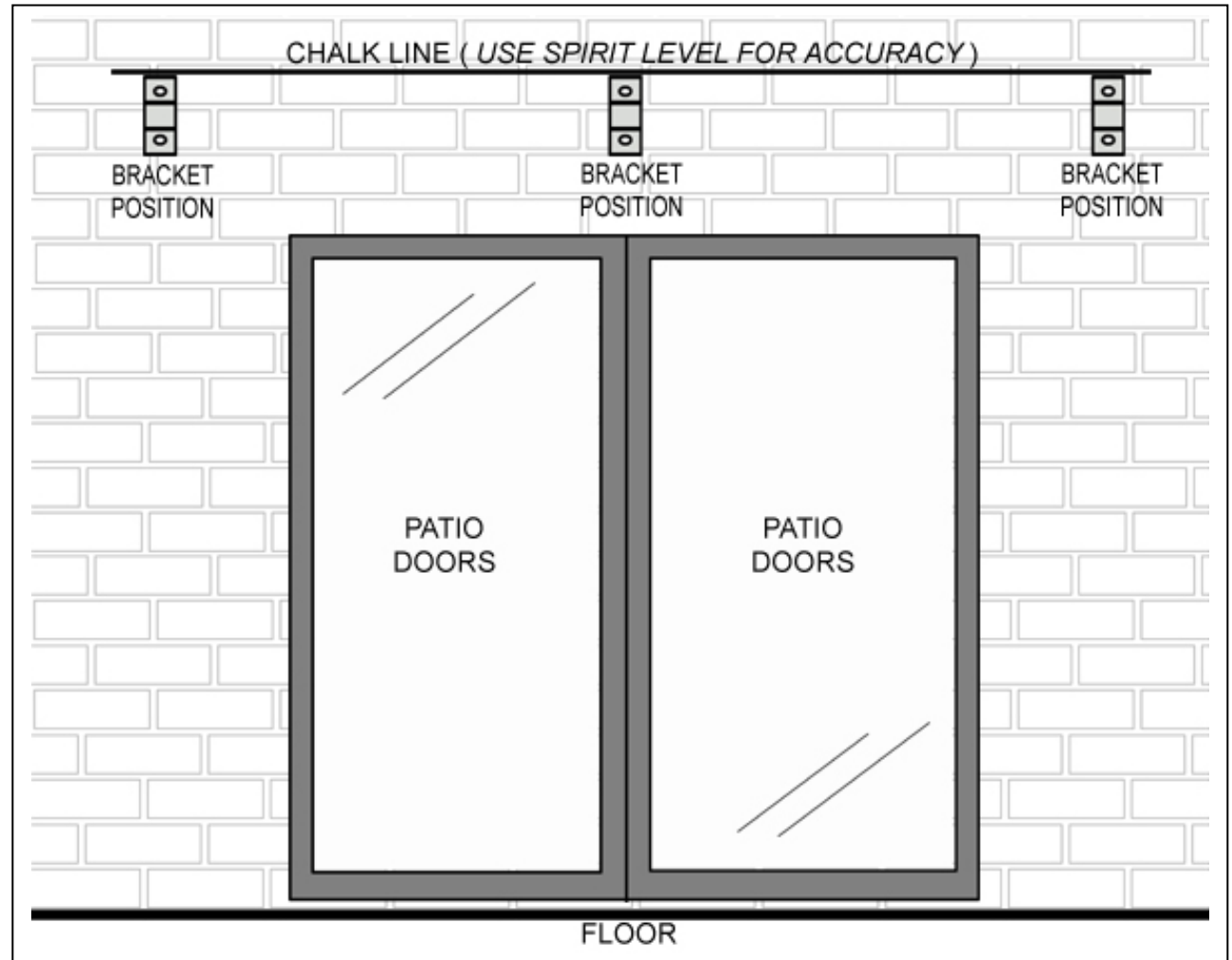
The 1.9m & 2.5m awnings are complete with 2 x wall brackets, one fitting on each end of the Awning Torsion Bar.

The 3m, 3.5m, 4.0m & 4.5m Awnings are complete with 3 wall brackets, one fitting each end of the Awning Torsion Bar, and one fitting in the middle of the Awning Torsion Bar.

The end fitting brackets **MUST** be located on the **OUTER** side of the arm fittings on the Awning Torsion Bar **otherwise the arms will not retract fully when the awning is fitted on the brackets.** It is best if possible to locate the brackets as far to the end of the awning as possible as this will give the greatest stability to the awning once fitted.

NOTE : It is correct for the clearance between the arm fittings on the torsion bar and the end of the awning to be different on each side of the awning.

Ensure that the brackets do not obstruct the movement of the arms when the awning opens and closes before finalising the bracket positions and drilling the holes in the wall. It may be necessary to open the awning a little to check this.



Moving the location of the wall brackets slightly inwards or outwards may be necessary due to the position of the bricks in the wall, or any supporting wall studs.

If you have purchased the 3.5m, 4.0m or 4.5m Awning, then the third wall bracket must be located in the center of the awning.

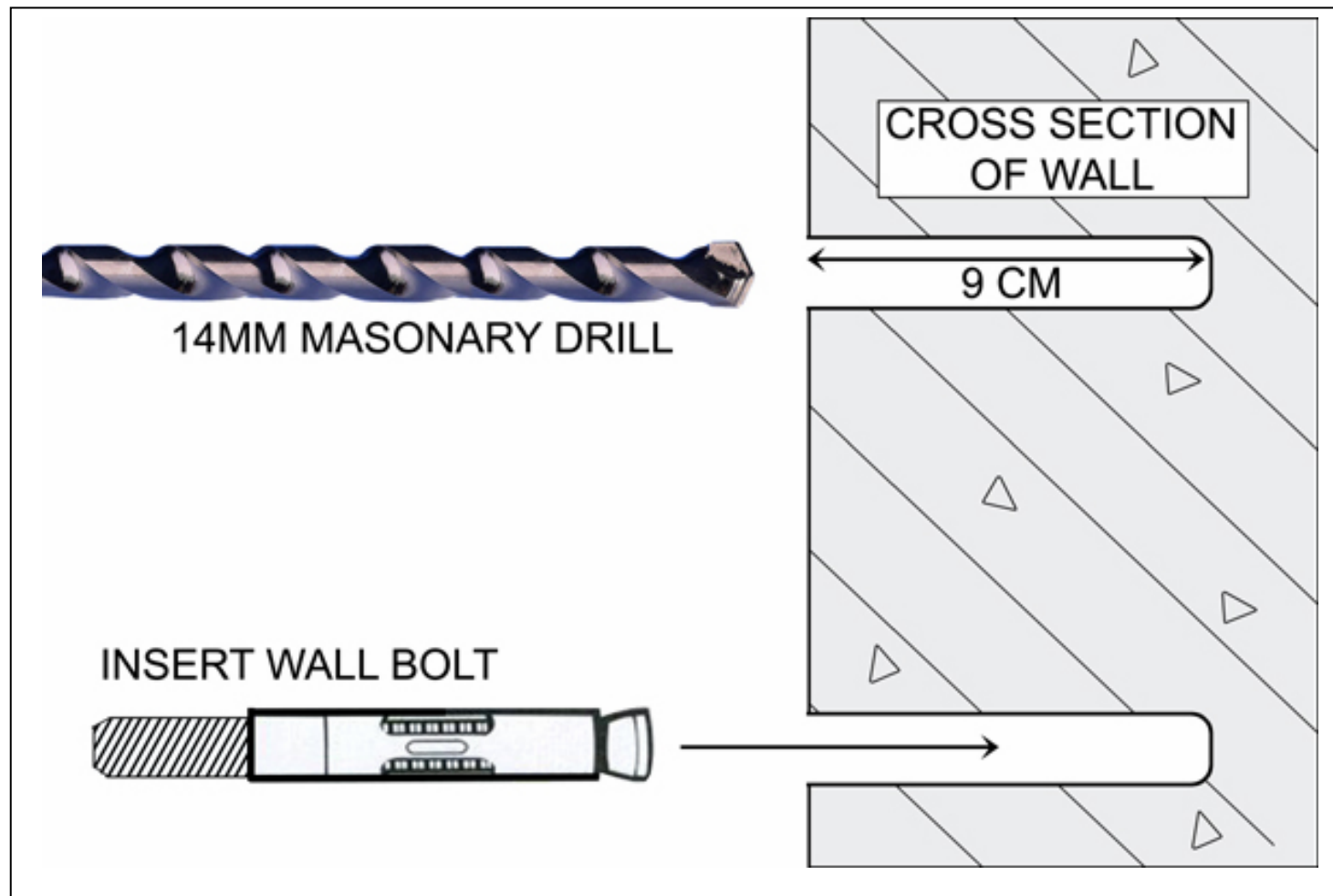
STEP 3

Using a hammer action drill and a 14mm Masonry Drill Bit, drill the holes into the wall in the positions of the holes in the Awning Brackets.

The holes should be drilled 9 cm into the wall ensuring that the hole goes through solid brick or concrete. Do not drill through mortar as this will not provide satisfactory strength to hold the wall bolts.

USEFUL TIP

To ensure the depth of the hole is accurate, measure 9cm from the end of the Drill Bit with a ruler and wrap some tape around the Drill Bit in this position. When the tape marker is level with the wall, you have reached the correct depth.



INSTALLATION ONTO WOODEN HOUSES, CHALETS, SHEDS AND STATIC CARAVANS

This awning can be fitted onto all of the above providing that the wall has adequate strength to support the weight of the awning. Always ensure that the wall Brackets are securely bolted onto a strong and stable wall. The wall bolts provided in the fitting kit will not be suitable for securing to most of these type of applications, therefore you will need to purchase Coach Bolts of sufficient length and diameter from your local hardware store to replace the wall bolts provided.

STEP 4

After inserting the Wall Bolts, slide the washers over the bolt heads followed by the Wall Bracket. Slide the remaining Bolt Washers over the Bolt heads and tighten securely the 17mm Nuts.

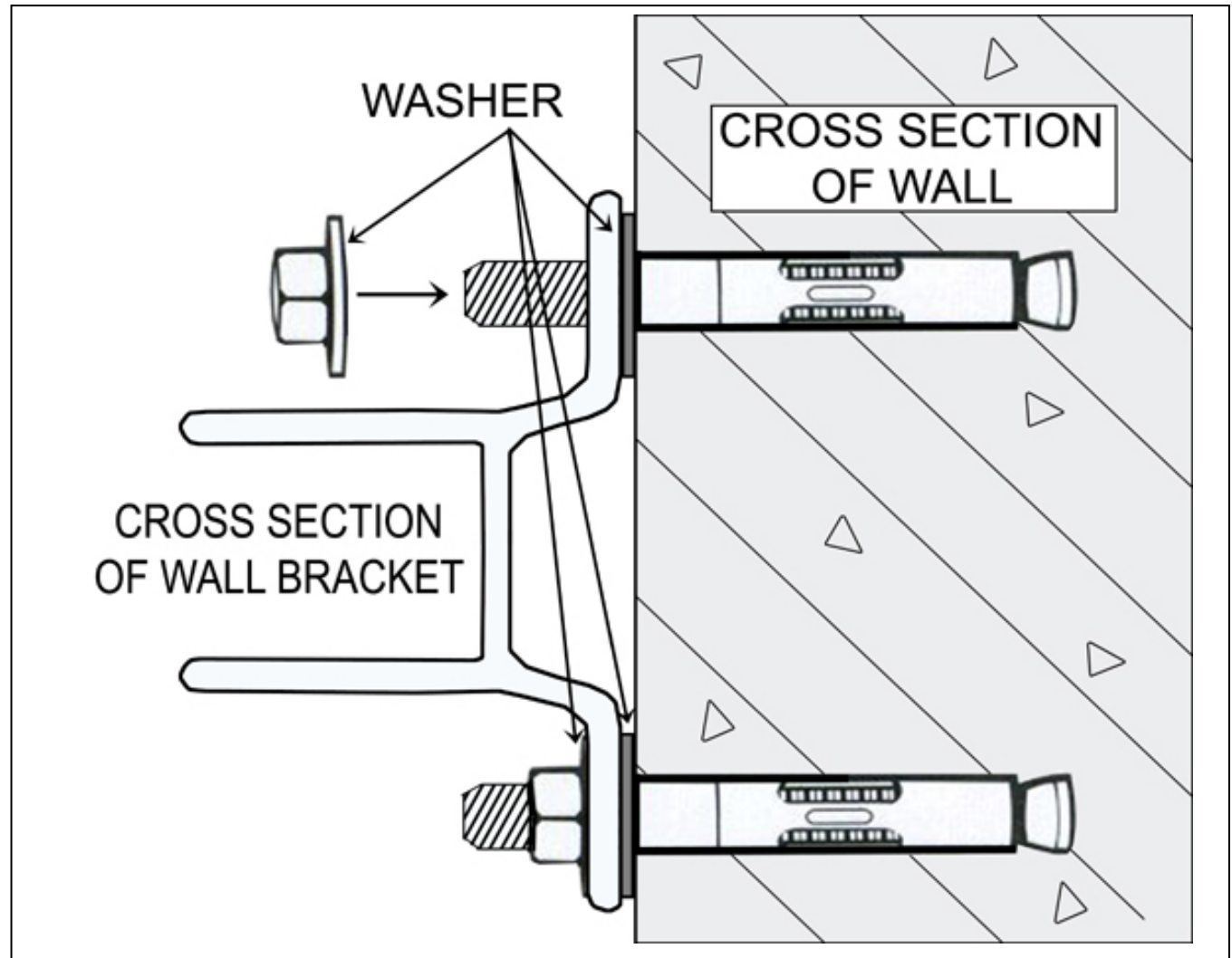
NOTE

It might be necessary to tap the Wall Bolts into position with a wooden faced mallet as the fit might be fairly tight. Avoid using a metal faced hammer as this might damage the threads on the top of the bolt shaft.

If the bolts require tapping into the wall with a mallet, it is recommended the Nut be loosely screwed on top of the bolt first (almost flush with the end of the bolt shaft) as this will further prevent damage to the threads on the bolt shaft during insertion.

Tighten the Wall Bolt Nuts securely with a 17mm Hexagonal Spanner. It is better to use a closed ended spanner rather than an open ended spanner to avoid spanner -slip damage to the Nut.

When bolted into position, the brackets should be tight against the wall. If any movement is detected, further tighten the nuts.



DO NOT ATTEMPT TO FIT THE WALL BRACKETS TO LOOSE BRICKS OR SURFACES THAT ARE NOT OF SOUND CONSTRUCTION.

ENSURE THE WALL BRACKETS ARE WELL BOLTED TO THE WALL TO PREVENT THE BRACKETS FROM FALLING AWAY FROM THE WALL WHEN THE AWNING IS FITTED.

STEP 5

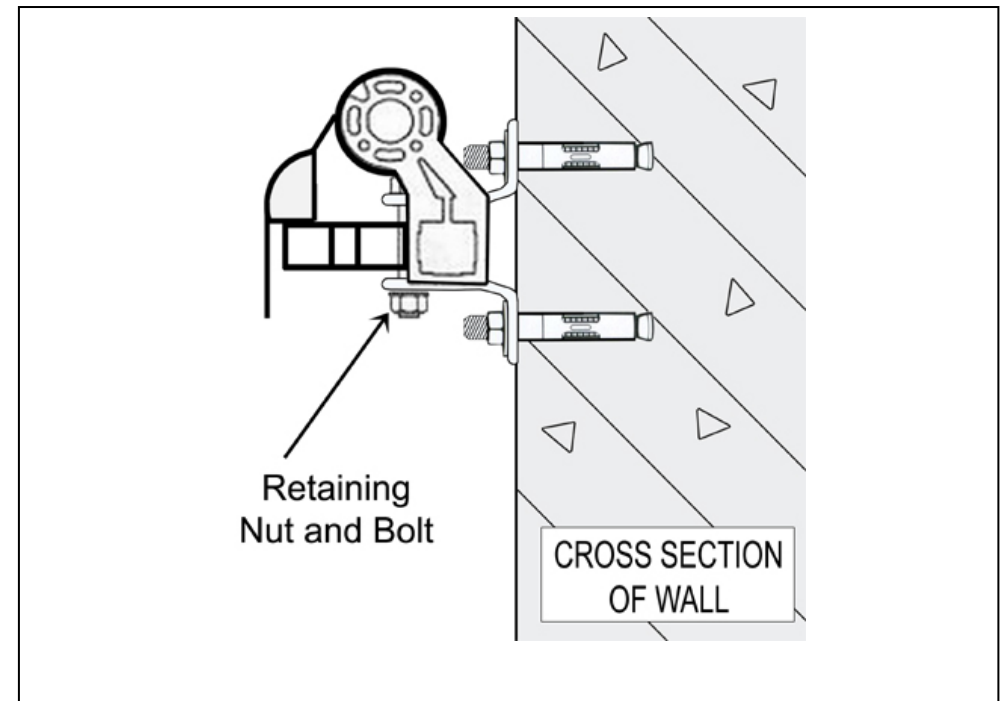
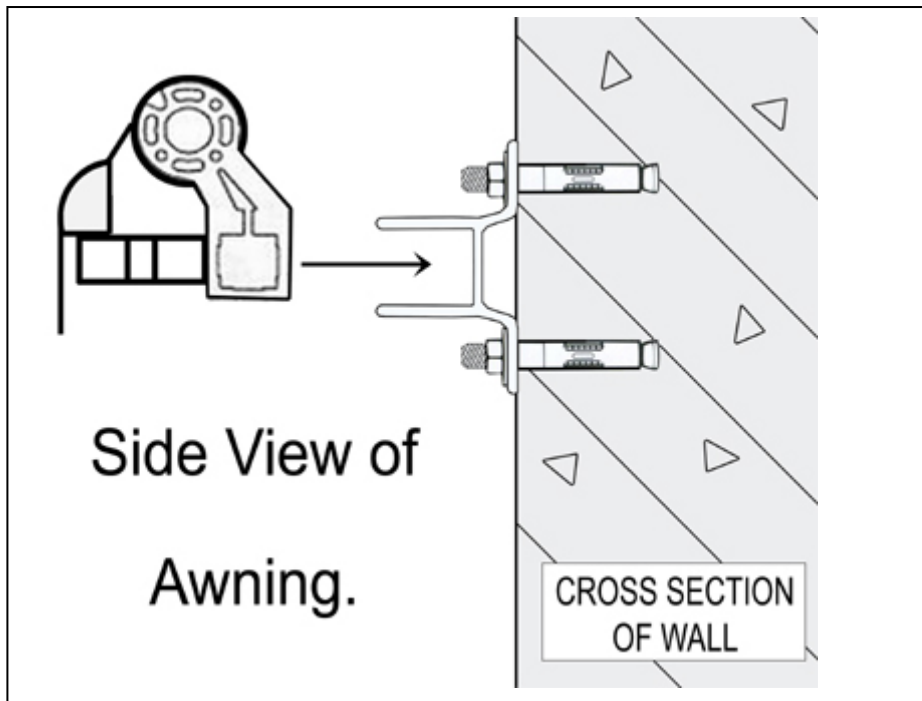
Your Awning is now ready to be secured to the Wall Brackets.

With at least 2 people, carefully lift both ends of the awning unit until the Torsion Bar slides into the Wall brackets.

It will be necessary to use 2 sets of ladders or step stools to lift the awning unit to the required height. Ensure the steps or ladders are safely positioned and well secured to avoid slipping or injury. **Always use ladders or steps of the appropriate rating for the job.**

WARNING

This Awning unit is heavy, do not attempt to lift this unit onto the wall brackets without assistance from a second person.



USEFUL TIP

If the Torsion Bar does not slide easily into the Wall Brackets, then loosen the Wall Bracket Nuts slightly and try again; this time rock the Awning unit a little backwards and forwards and up and down (at the same time) until the Torsion bar slides into position. Immediately slide in the Retaining Bolts at the front of the Wall Brackets and tighten up the Nuts using a 19mm hexagonal spanner. In some cases the retaining bolt will have to be inserted from the bottom of the bracket and the nut fastened at the top.

Ensure the Wall Bracket Retaining Bolts are well tightened up.

STEP 6

Remove the restraint straps from around the awning unit if not already done so.

Locate the Winding Handle into the Crank Hole on the side of the awning. Open the awning (by turning the Winding Handle anti-clockwise)until the arms are at their maximum extension. Wind back a little to keep the fabric cover tight.

STEP 7

ADJUSTMENT OF TILT ANGLE

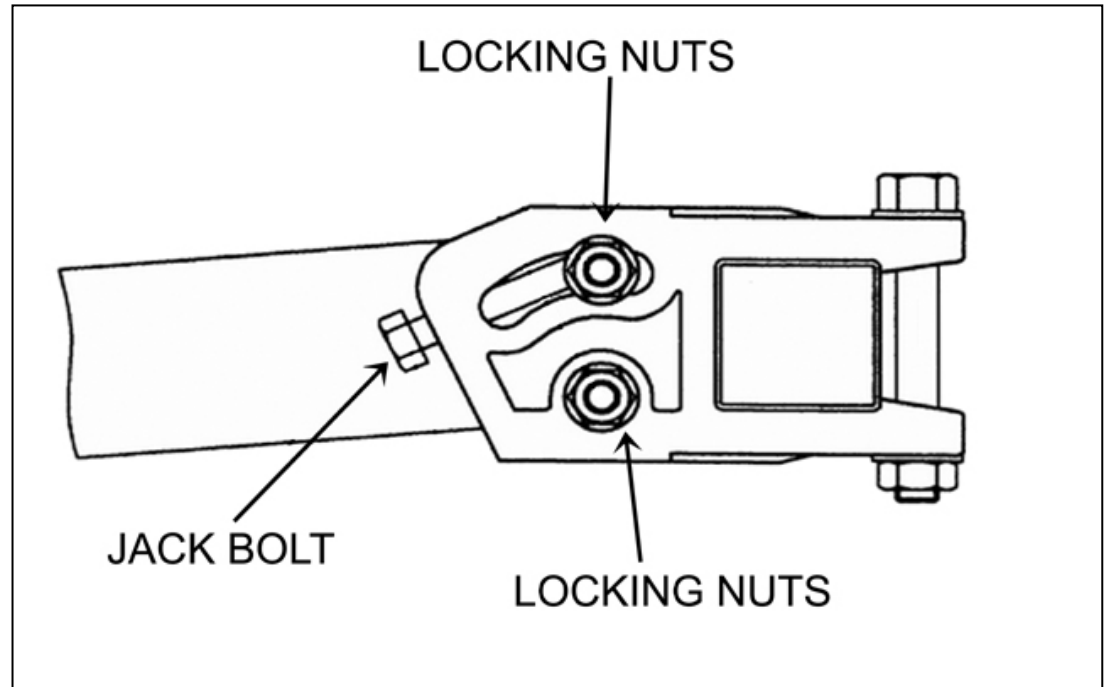
The awning is supplied with the most ideal pre-set angle of tilt.

The angle can however be adjusted by loosening the 4 x 17mm locking nuts on both sides of the arms and then turning with a spanner the 2 x 13mm Jack Bolts to the desired angle.

To ensure both sides are perfectly level, there is a built in spirit level on the front bar of the awning and the air bubble should be located exactly in the middle of the level.

Once adjusted, securely tighten up the 17mm Locking Nuts.

DO NOT operate this awning unless the arms are perfectly level as this will cause premature damage to the frame and arms.



PLEASE NOTE THE ARMS OF THE AWNING ARE SUPPOSED TO BE "DOG LEGGED" IN THE FULLY OPEN POSITION. THIS IS A PART OF THE DESIGN TO MAXIMISE THE STRENGTH OF THE AWNING STRUCTURE.

After use, always remove the Winding Handle from the unit and store in a dry safe place.

DO NOT ALLOW CHILDREN TO PLAY WITH THIS AWNING

For fitting advice, parts and replacement covers please telephone our SONEVA helpline on 0116 2894752 and leave your contact number, details of parts or advice required and we will call you back as soon as possible.

FREQUENTLY ASKED QUESTIONS

1	<p>Q : Are the arms of the awning supposed to be “dog legged” when fully open ?</p> <p>A : Yes. This is the design of awning and gives maximum strength to the awning structure.</p>
2	<p>Q : How long will the fabric Awning Last ?</p> <p>A : The fabric on your awning is a superior quality All Seasons™ Polyester with a Weatherite™ all weather treatment. This treatment is waterproof and will protect the fabric for several years.</p> <p>Replacement covers are available for purchase by calling our customer service helpline or visiting our website at www.soneva-awnings.com</p>
3	<p>Q : What do I do if there are any missing or broken parts when I open the box ?</p> <p>A : Telephone our customer service helpline as soon as possible and we will arrange to send any missing or replacement parts to you without delay.</p>
4	<p>Q : How long does it take to assemble and fit this awning ?</p> <p>A : With the correct tools, it should not take more than a 2 hours.</p>
5	<p>Q : Can my awning be fitted from a horizontal surface such as a ceiling or flat roof instead of a wall ?</p> <p>A : You will need to purchase a Horizontal Mounting Kit available by calling our customer service helpline.</p>

FREQUENTLY ASKED QUESTIONS

6

Q : What type of maintenance is required on my awning ?

A : SONEVA awnings require little maintenance. Keep the frame clean by wiping with damp cloth soaked in a warm mild detergent solution. Polish off with a second damp cloth that has been soaked in clean warm water. The cover may be rinsed with a cool mild detergent solution and rinsed with clean cold water. DO NOT wash the cover in a washing machine.

The winding mechanism is a sealed unit and does not require any maintenance. Do not attempt to open the gearbox as there are no user serviceable parts inside.

7

Q : Can my awning be left open all year round ?

A : Awnings must not be left open during windy conditions or heavy rain. The awning cover is waterproof and can be left open during light rainy conditions but always ensure the cover is kept tight by turning the handle clockwise a little after initially opening the awning to prevent any water building up on top of the awning cover as a build up of water may damage the awning frame and cover.

To keep your awning cover in tip top condition, always close your awning after use as this will prevent dust and dirt collecting on the cover and will ensure your awning will last for many years.

8

Q : I have used my awning for a while now and I have noticed one side is lower than the other when opened ?

A : This is normal as awnings take time to settle into position and may require the occasional adjustment to keep perfectly level.

FREQUENTLY ASKED QUESTIONS

9

Q : When my awning is not fully open, the awning is not perfectly level, but when the awning is fully open it is level, is this normal ?

A : Yes – the awnings are designed to be adjustable to perfectly level when fully open. Only make adjustments to the level of the awning when fully wound open. In many cases the awning may not be perfectly level when partially wound open. The awning is intended to be used in the fully open position or the fully wound in position.

10

Q : Can I purchase a weather cover for my awning ?

A : Your awning is already protected by tough powder coated metal parts and a waterproof polyester canopy, but to keep your awning perfectly clean and fresh over the winter or any other time of the year you can purchase a fully weatherproof polyester cover bag that quickly and easily slips over the awning. Please call our customer service helpline for more information or purchase one through our website at www.soneva-awnings.com

GUARANTEE

Your Soneva Awning is guaranteed against faulty workmanship and parts for a period of 12 months from date of purchase. Please retain your original receipt with these instructions for future reference.

This awning is intended for domestic use only. The use of this awning in commercial applications will invalidate this guarantee.

Faulty parts will be replaced or exchanged during the guarantee period. We will not accept the return of any awning that has been damaged by misuse or weather damage (heavy rain, typhoon, storm damage etc).